

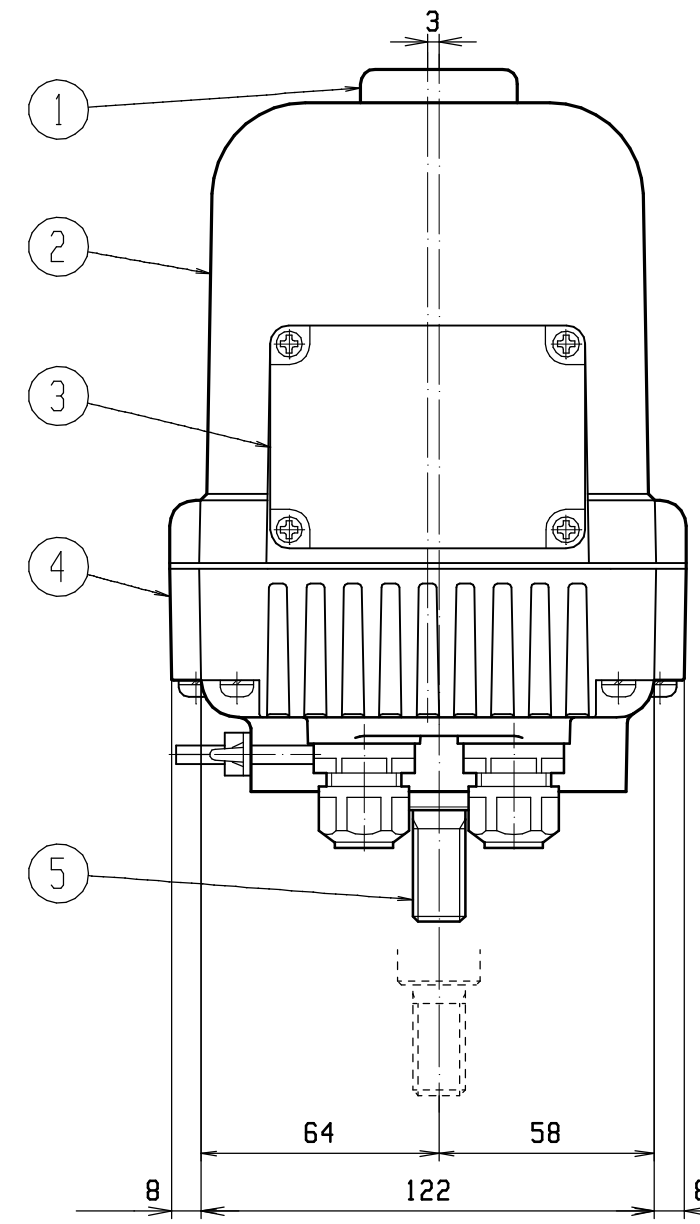
No.	NAME OF PART	Q'TY	M T L	REMARKS
1	Manual handle shaft rubber cap	1	NBR	
2	Body cover	1	ADC12	
3	Control unit cover	1	ADC12	
4	Body base	1	ADC12	
5	Output shaft	1	SUS304	
6	Lead in hole(Cordlock)	2	NYLON66	OA-W1611
7	Manual handle	1	SCS13	

DRIVING UNIT SPECIFICATION				
POWER SOURCE	AC110V	AC115V	AC120V	50/60Hz
	AC220V	AC230V	AC240V	Single phase
STROKE	L25	0~25mm		
	L50	0~50mm		
THRUST	L25	200kgf (1961.3N)		
	L50	500kgf (4903.3N)		
OPERATION SPEED	0.055inch/sec.(1.4mm/sec.) - 50Hz 0.067inch/sec.(1.7mm/sec.) - 60Hz			
ACTION MODE	DIRECT · REVERSE			
'OFF' MODE	OPEN · STOP · CLOSE			
INPUT SIGNAL	4~20mA · DC			
RESOLUTION	More than 1/250			
MANUAL OPERATION	Available			
COATING COLOR	Silver metallic			
BODY MATERIAL	Aluminium diecast			
BODY WEIGHT	7.5 kg			

A: Max. extension (Full close)
 B: Shrunk (Full open)
 Unless otherwise instructed, the shaft stroke will be arranged as standard with the maximum stroke at 25mm/Nucom-L25 and 50mm/Nucom-L50.

STANDARD STROKE			
	A Bottom(max)	B Top(min)	Stroke
L25	82[mm]	57[mm]	25[mm]
L50	82[mm]	32[mm]	50[mm]

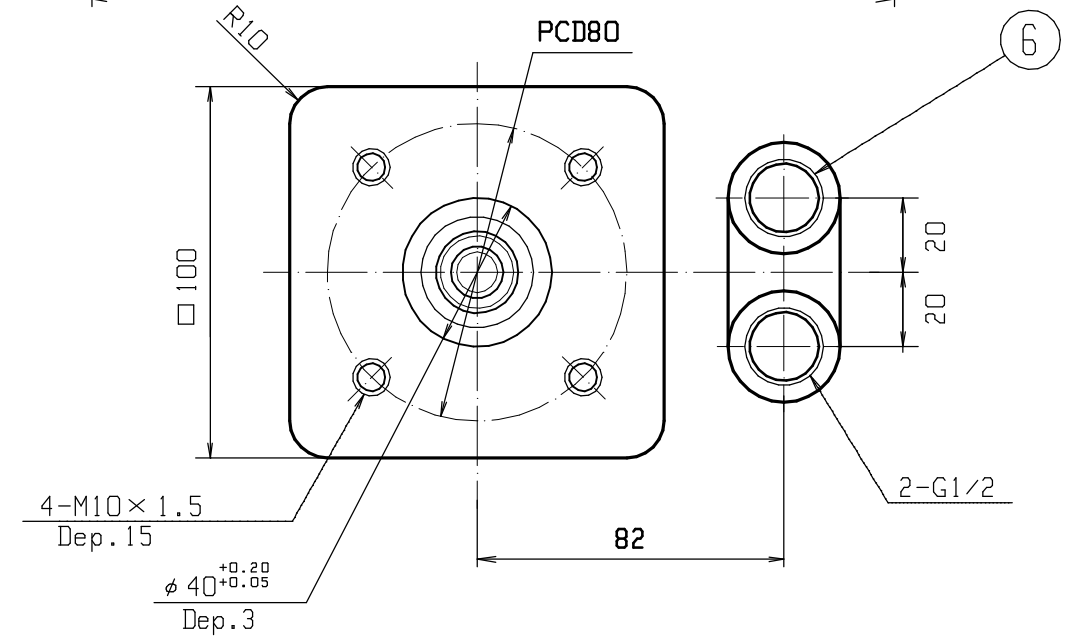
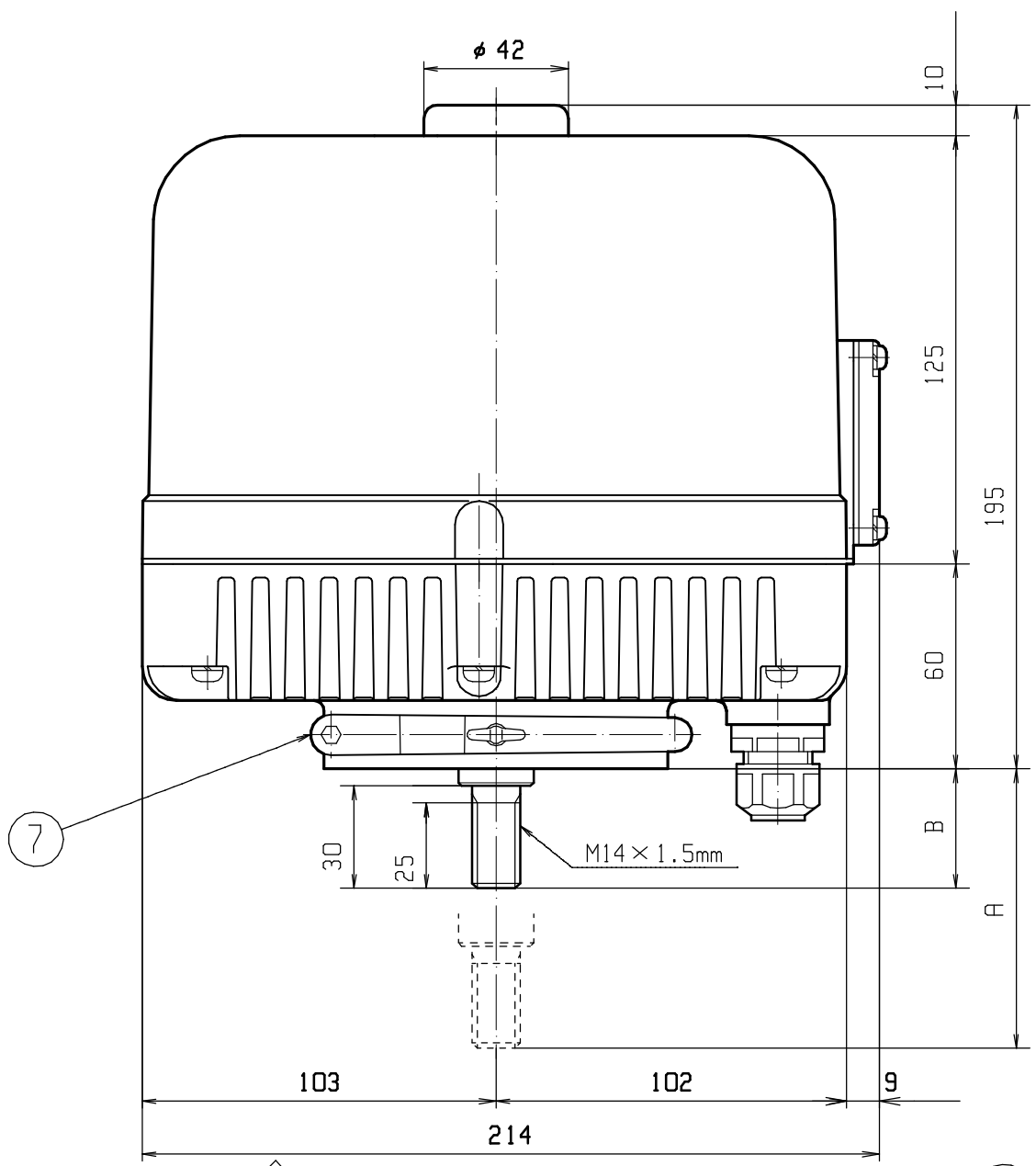
CUSTOMER STROKE			
	A Bottom(max)	B Top(min)	Stroke
L25	[mm]	[mm]	[mm]
L50	[mm]	[mm]	[mm]



DIMENSIONS ARE mm

CERTIFICATE OF COMPLIANCE		
TYPE	CERTIFICATE NUMBER	ISSUED BY
NEMA-4, 4X	161097-E177862	UL
CSA.NRTL/C	LR110832-1,2	CSA
CE	EMS 1B0704-1,2	ASSESSMENT SERVICE

SPEC. No. _____



NAME: ACTUATOR OUTER DIMENSIONS	DATE	SIGN
MODEL: Nucom-L25, L50	APRV.	
	CONF.	
	DRAW.	11, AUG, '00 K. SUGIYAMA
KOEI INDUSTRY CO., LTD.	DR. No.	2A010GE1